

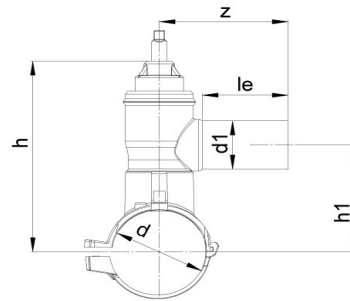
EF TAPPING VALVE

04 Update - 05/2024

TECHNICAL DATA

Article No	001 117 2072 0327
d (mm)	315
d1 (mm)	63
le (mm)	100
h (mm)	349
h1 (mm)	240
Z (mm)	152
L (mm)	160
Weight (Kg)	3,090
Box Quantity (pcs)	5
Box Dimension (cm)	55x30x37,5

INJECTION MOULDED



IDENTIFICATION OF PRODUCT

D(mm)	280-315x63
SDR	11
RAW MATERIAL	PE 100
PRESSURE CLASS	16 Bar Water
TRADEMARK	NTG
EXECUTION	Injection Moulded
STANDARD	EN 12201-3

EF SPECIFICATION

WELDING VOLTAGE	40 V
RESISTANCE	7.0 Ω
WELDING TIME	130 Sec.
COOLING TIME	15 Min.
WINDING TYPE	Monofilar
WELDING BARCODE	



142007323153407005130113

SPECIFICATION	<p>Suitable for SDR11....17 pipe</p> <p>4 mm pin connectors</p> <p>Long fusion outlet</p> <p>Opening on the spanner is 18 turns</p> <p>Wrench 12 mm</p> <p>The valve is closed clockwise</p>
---------------	--

Tolerance on diameters and thickness according to the standards. The other dimensions are specialized. Tolerance $\pm 5\%$. NTG PLASTIK reserves all the right to change any information without giving prior notice. The production, distribution and utilization of this document without explicit authorization is prohibited.